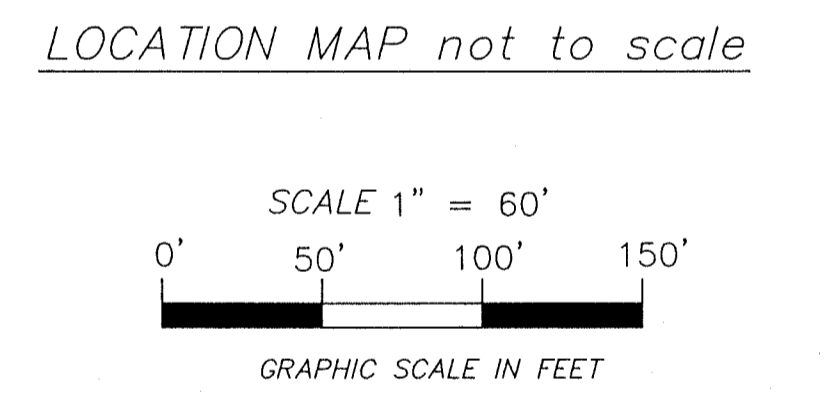
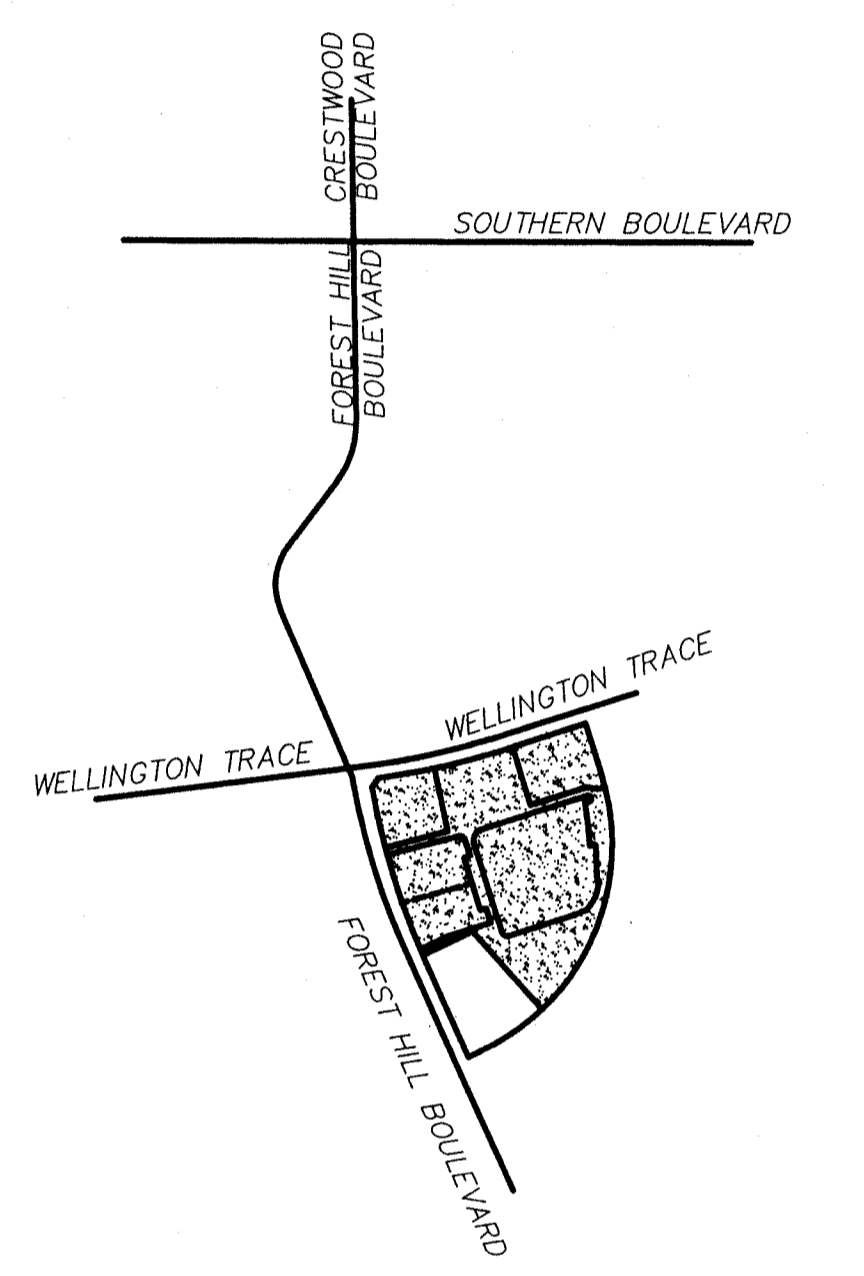
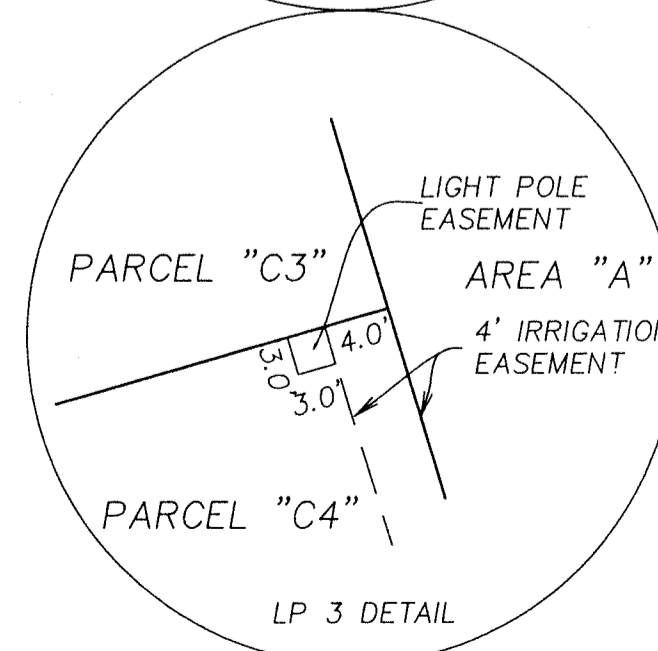
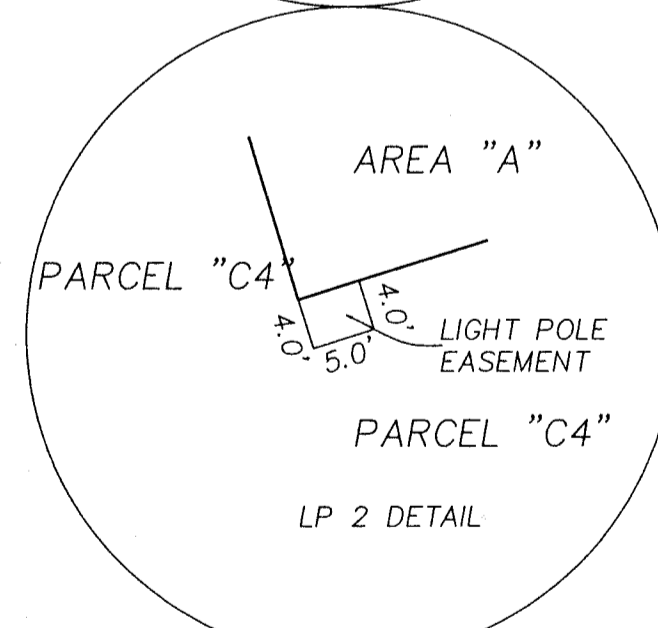
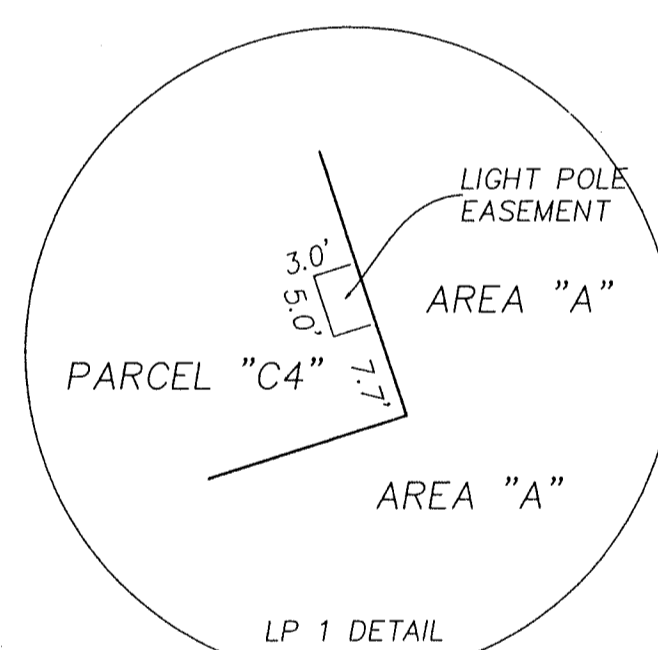
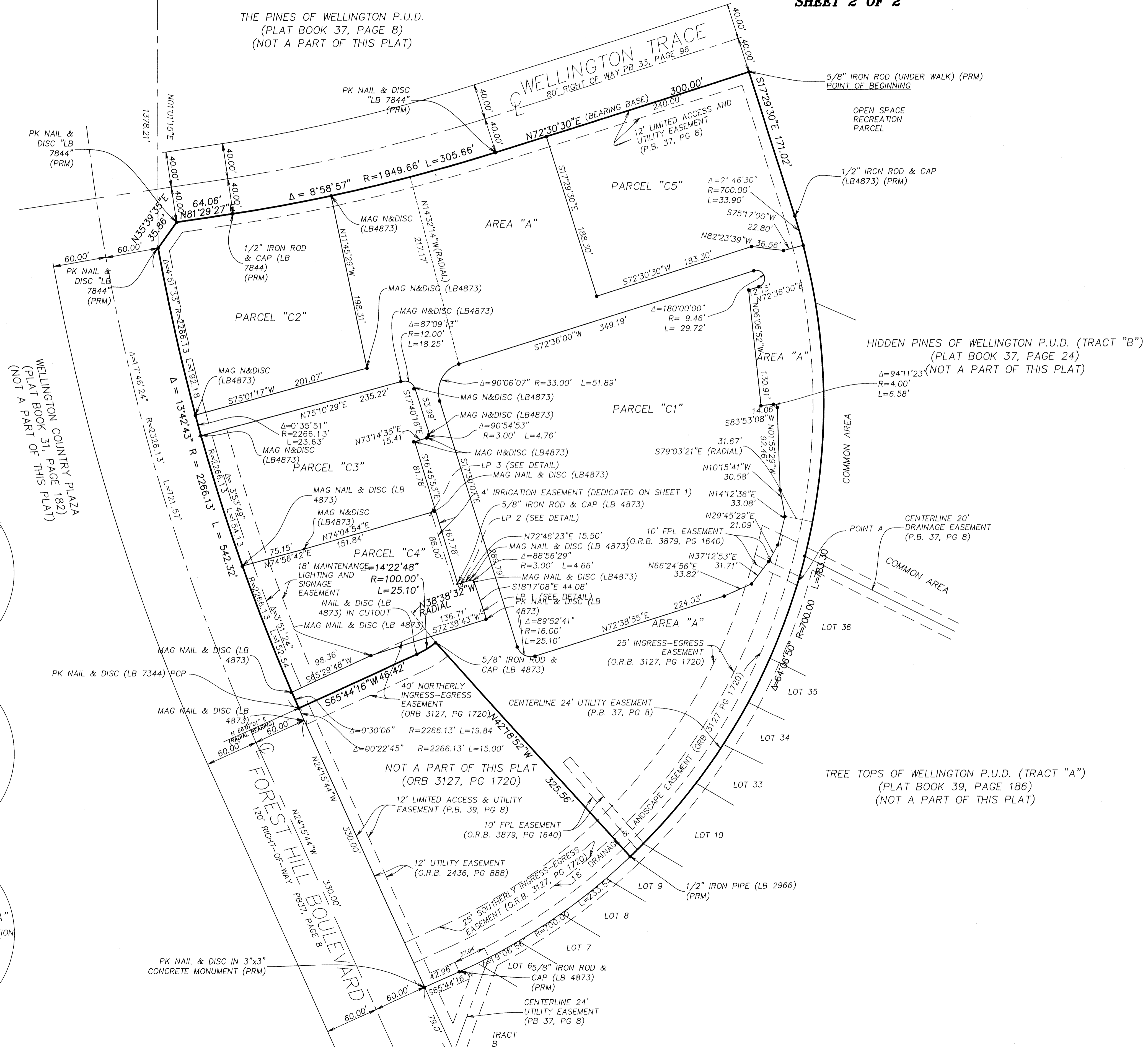
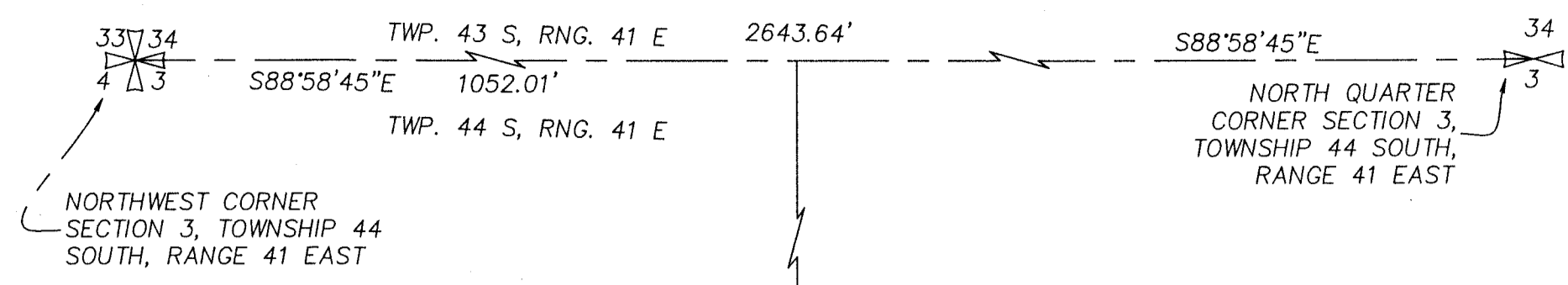


# PINES OF WELLINGTON, TRACT "C" - REPLAT

A REPLAT OF TRACT "C", THE PINES OF WELLINGTON, P.U.D. ACCORDING TO THE PLAT THEREOF, AS RECORDED IN PLAT BOOK 37, PAGES 8 THROUGH 10, OF THE PUBLIC RECORDS OF PALM BEACH COUNTY, FLORIDA LOCATED IN SECTION 3, TOWNSHIP 44 SOUTH, RANGE 41 EAST VILLAGE OF WELLINGTON, PALM BEACH COUNTY, FLORIDA

APRIL, 2020  
SHEET 2 OF 2

79



- LEGEND**
- P.B. = PLAT BOOK
  - PG. = PAGE
  - Δ = CENTRAL ANGLE/Delta
  - PK = TYPE OF NAIL
  - MAG = TYPE OF NAIL
  - TT = TIN TAB
  - L = LENGTH OF ARC
  - R = RADIUS
  - PRM = PERMANENT REFERENCE MONUMENT
  - 60d = SIZE OF NAIL
  - N = NORTH
  - S = SOUTH
  - W = WEST
  - E = EAST
  - ℄ = CENTERLINE
  - ID = IDENTIFICATION
  - O.R.B. = OFFICIAL RECORD BOOK
  - P.O.B. = POINT OF BEGINNING
  - E.B. = ENGINEERING BUSINESS
  - E.B. = ENGINEERING BUSINESS
  - L.P. = LIGHT POLE EASEMENT
  - TWP. = TOWNSHIP
  - RNG. = RANGE
  - N & DISC = NAIL AND DISC
  - = SURVEY POINT (TYPICAL)

MARK D. LAING, P.S.M.  
FLORIDA CERTIFICATE No. 5119

FILE NO. 8-92  
(4-01-20)

**JDC** Development Services, Inc. LB#4873  
12794 W. Forest Hill Boulevard  
Suite 11-A Wellington, Florida, 33414